

KOBELCO

We Save You Fuel
Achieving a Low-Carbon Society

Log Loader

ACERA
GEOSPEC

Super X

Hydraulic Excavators

SK350 LC

Elevated height

5,980 mm

Elevation range

2,800 mm



Gripping area practical
2.0 m²



Max gripping width
2,850 mm

Note: The grapple fitted to the machine is not a KOBELCO product.
Please consult your nearest KOBELCO distributor for more information on grapples.

Offering excellent visibility from the elevated cab and a larger working range with a dedicated 9.3 m boom and 6.0 m arm combination

- ⌚ The maximum working radius is 14 m or more, providing a larger working range.
- ⌚ The cab reaches a height of approx. 6 m when the cab lift cylinders are fully extended to 2,800 mm.
- ⌚ Komex (Kobelco Monitoring Excavator System) for construction machines.

Safety Features

● Emergency cab lowering device



Control levers fitted both inside and outside cab

● Cab front screen guard



The cab front screen guard for window protects the cab and operator from damage by handling objects

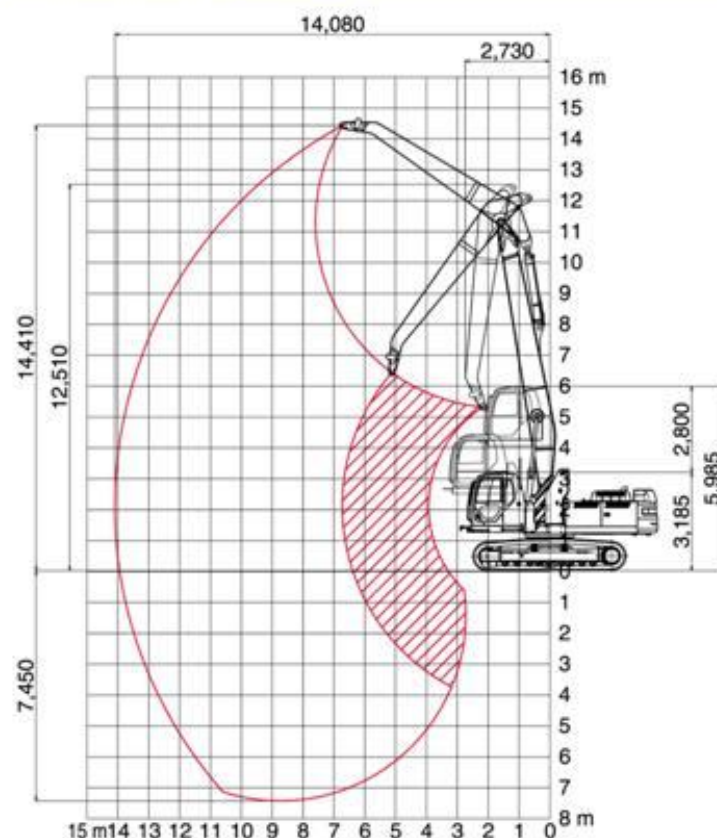
Main Specifications

Model	SK350LC	
Operating weight	kg	43,600
Swing speed	min ⁻¹	6.6
Travel speed	km/h	3.3/5.6
Gradeability	%	70
Ground pressure	kPa	82
Engine model	JO8E-TM	

Engine type	4 stroke, water-cooled, 6 cylinder, direct injection, intercooled, turbo-charged, diesel engine	
Power output	209 (284 PS) / [2,100] (ISO14396 Without fan) 197 (265 PS) / [2,100] (ISO9249 With fan)	
	kW/min ⁻¹ [rpm]	
Fuel tank	ℓ	580
Boom length	m	9.3
Arm length	m	6.0

Working Range

(unit: mm)



Max. working reach	mm	14,080
Max. working height	mm	14,410
Max. working depth	mm	7,450

Note: The working range data is for the arm top point.

Elevating Cab Specifications

Elevated height	mm	5,980
Elevation range	mm	2,800

Time to reach maximum height: **15 sec.**



Note: This catalog may contain attachments and optional equipment that are not available in your area. And it may contain photographs of machines with specifications that differ from those of machines sold in your areas. Please consult your nearest KOBELCO distributor for those items you require. Due to our policy of continuous product improvements all designs and specifications are subject to change without advance notice.

Copyright by **KOBELCO CONSTRUCTION MACHINERY CO., LTD.** No part of this catalog may be reproduced in any manner without notice.

KOBELCO CONSTRUCTION MACHINERY CO., LTD.

17-1, Higashigotanda 2-chome, Shinagawa-ku, Tokyo 141-8626 JAPAN
Tel: +81 (0) 3-5789-2146 Fax: +81 (0) 3-5789-2135
www.kobelco-kenki.co.jp/english_index.html

PT DAYA KOBELCO CONSTRUCTION MACHINERY INDONESIA

JAKARTA HEAD OFFICE :

Pondok Indah Office Tower 3 Suite 1500 & 1602
Jl. Sultan Iskandar Muda Kav. V-TA, Pondok Indah, Jakarta 12310
Tel: 021-7592 2828 (Hunting), Fax: 021-7592 2880 (Marketing)
E-mail: info@dayakobelco.co.id

FACTORY :

Kawasan Industri MM2100, Jl. Halmahera Blok DD-10, Desa Danau Indah, Cikarang Barat Kabupaten Bekasi, 17520 Jawa Barat, Tel : 021-8998 3339 (Hunting) Fax : 021-8998 3342 - 43

Inquiries To: